

# PELVICAST HIGH PRECISION PELVIS AND ABDOMEN FRAMELESS IMMOBILIZATION SYSTEM

The Pelvicast High Precision Frameless Mask System for pelvis and abdomen immobilization consists of a unique combination of three carefully designed and engineered components.

1. Raycast carbon fiber low density hardware.
2. Pelvicast frameless thermoplastic masks.
3. Easy to insert and remove L-shaped profiles as interface between mask and base plate.

When integrated they result in the most accurate, reproducible and comfortable patient immobilization and positioning system.

Orfit has developed a pelvis and abdomen frameless, multi-point masking system that offers the precision in patient immobilization needed with today's technology to perform IMRT, IGRT, SRS, and SRT.

## CLINICAL STUDY

Lec, J.A. (2014), Interfractional variability in intensity-modulated radiotherapy of prostate cancer with or without thermoplastic pelvic immobilization, *Strahlenther. Onkol.* 190, 94-99



## FEATURES AND BENEFITS

Thermoplastic with engineered limited shrinkage that results in a high but comfortable degree of patient immobilization.

Very stable mask limits patient movement and rotation.

Memory effect allows the user to re-mold a finished mask as needed. This provides significant flexibility for modification during a patient treatment or simply to save on waste.

Quick release system allows fast and safe removal with high risk patients.

Innovative integrated L-Profiles enable you to quickly and easily secure the mask to the Pelvicast Base Plate for a precise immobilization.

# PELVICAST BASE PLATES

Orfit's lightweight, professionally designed and precisely engineered hardware ensures outstanding patient immobilization results.

The Orfit Base Plate design consists of a sandwich construction, with a foam core and ultra thin carbon fiber layer.

This results in very low density with the highest possible radiation transmission during treatment.

The use of your existing 2-pin lock bar, Orfit Loxon clamps or a similar device ensures that the Orfit High Precision Base Plate is securely mounted to the table top.

Positioning indicators on the base plate help to reduce patient setup time and ensure precise positioning and immobilization during each fraction.

Orfit High Precision Base Plates are available and compatible for use with all treatment machines, CT and Simulator table tops.



# PELVICAST BASE PLATES



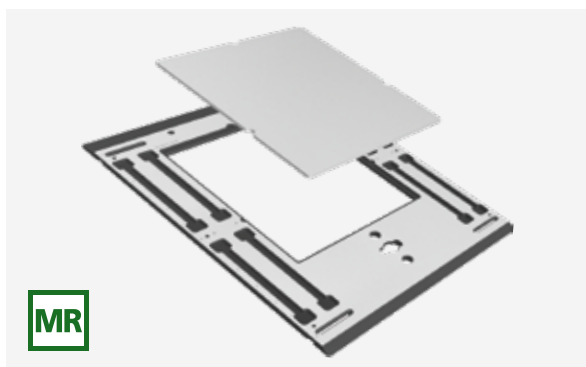
**Art. N° 32122**  
High precision CFL base plate  
For non-indexed couches



**Art. N° 32124**  
High precision CFL base plate  
For Exact\* or iBEAM\* couches



**Art. N° 32124/MR**  
High precision base plate  
For Exact\* or iBEAM\* couches  
MR compatible

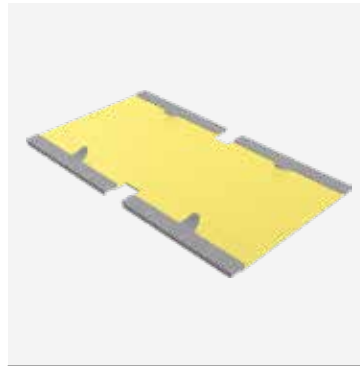


**Art. N° 32123**  
High precision HPL base plate  
For non-indexed couches  
With central panel

\*Exact is a trademark of VARIAN Medical Systems Inc. / \*iBEAM is a trademark of Medical Intelligence

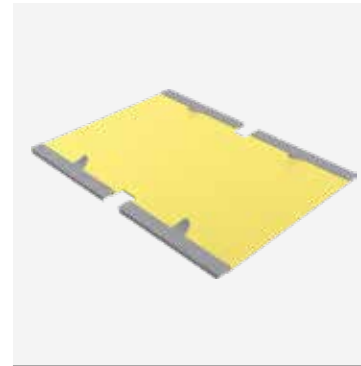
# ANTIBACTERIAL PELVIC MASKS

Pelvicast thermoplastic masks reduce the translational and rotational movements of the patients. A specially designed Leg Separator can be inserted into the base plate after the patient has mounted the cushion, to fix a 6-points Pelvicast mask. This type of mask will increase the reproducibility and precision of the immobilization. An extensive range of Pelvicast masks are available to meet specific patient requirements and your immobilization preferences.



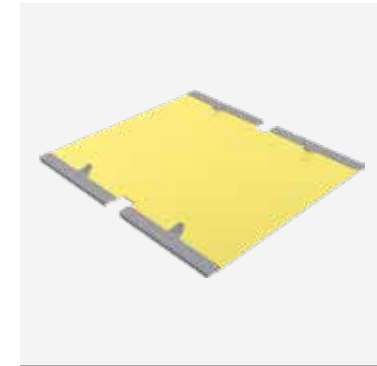
**Art. N° 35788/32MA**

4-points pelvic mask - small  
prone and supine



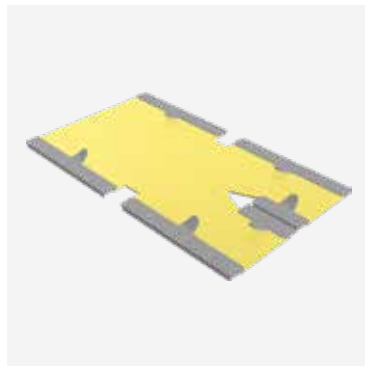
**Art. N° 35787/32MA**

4-points pelvic mask - medium  
prone and supine



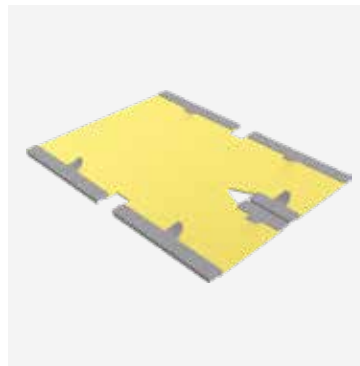
**Art. N° 35784/32MA**

4-points pelvic mask - large  
prone and supine



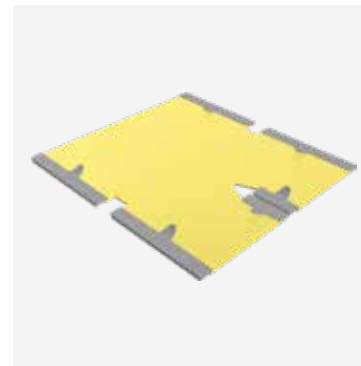
**Art. N° 35710/32MA**

6-points pelvic mask - small  
for use with leg separator  
prone and supine



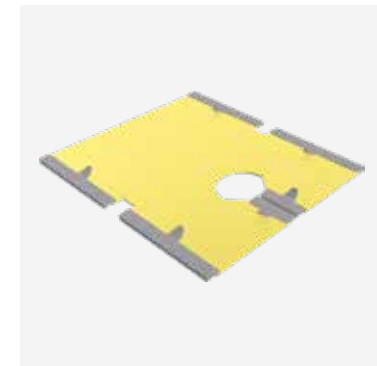
**Art. N° 35711/32MA**

6-points pelvic mask - medium  
for use with leg separator  
prone and supine



**Art. N° 35712/32MA**

6-points pelvic mask - large  
for use with leg separator  
prone and supine



**Art. N° 35780/32MA**

6-points pelvic mask - large  
for use with leg separator  
supine

## ACCESSORIES

### LEG SEPARATORS



Art. N° 32037

Leg separator

Contains slots for 6-points Pelvicast masks



Art. N° 32008

Low leg separator for less voluminous patients

Contains slots for 6-points Pelvicast masks